

<u>TOOLS NEEDED</u>	<u>BILL OF MATERIALS</u>		
<ul style="list-style-type: none"> • Press or vice (Daystar tool KU70091) • Retaining clip pliers • Floor jack • Jack stand (s) 4 • Wheel chock • Grease (poly lube gun KU11005) • 3/4 drive ratchet • 10" 3/4 extension • 5/8 wrench and 5/8 socket • Measuring tape • 18mm wrench • 18mm socket • Cut off wheel 	Part #	Description	Qty
	S11095	Ft Upper Arm	2
	S11086	End U-strap	2
	S11068	Left hand stud end	2
	BU70032	Hardware kit	1
		Hardware BOM	
	M00490	BUSHING	2
	M00491	BUSHING	2
	S10611	STEEL BALL	2
	S10614	C-CLIP,SNAP	4
<p align="center"><u>Jeep JK Products</u></p> <ul style="list-style-type: none"> • KJ09138 3/4" Front & rear lift • KJ09137 1 3/4" Front & rear lift • KU09059 EVS Foam bump-stops • KU09060 EVS Foam bump-stops • KU70034 Ft lower control arms • KU70033 Rear upper control arms • KU70037 Rear lower control arms • KU70091 poly flex tool • KU11005 Poly lube gun 	S10613	WASHER FLAT	4
	S10639	7/16 BOLT	4
	S10203	7/16 LOCK NUT	4
	S10819	3/4 JAM NUT	2
	S11104	LT 3/4 JAM NUT	2
	P11183	THREAD LOCK	1



KU70032
2007 to Current Jeep JK control arm kit



Hells gate, Moab UT



www.Daystarproducts.com
 Tech Support Contact Info
Tech@DaystarWeb.com
 Phone: 623.907.0081
 Fax: 623.907.0088
 841 South 71st Avenue

Instruction Sheet P11238
2007 Daystar Products International Inc.

Thank you for choosing Daystar Products

Daystar recommends a certified technician install this system .In addition to these instructions , professional knowledge of disassemble/reassembly procedures as well as post instructions checks must be known. Attempts to install this system without this knowledge and expertise may jeopardize the integrity and/or operating of the vehicle.

Please read all the instructions before beginning the installation. Check the kit hardware against the parts list. Be sure you have all the needed parts and understand where they go. If anything is missing , do not proceed with the installation, Call Daystar Products to obtain needed items.

Product Use Information

As a general rule, the taller a vehicle is the easier it will roll. We strongly recommend , because of rollover possibility, that seat belts and shoulder harness be worn at all times. Avoid situations where a side rollover may occur.

Braking performance and capabilities are decreased when significantly large/heaver tires and wheels are used. Take this into consideration while driving. Also , speedometer recalibration is necessary when larger tires are installed.

Do not add, alter, or fabricate any factory or after-market parts which increase vehicle height over the intended height of the Daystar Product purchased. Mixing component brands, lifts, and/or combining body lift with suspension lift voids all warranties. Daystar makes no claims regarding lifting devices and excludes any and all implied claims. We will not be responsible for any products that is altered.

Notice to Dealer and Vehicle Owner

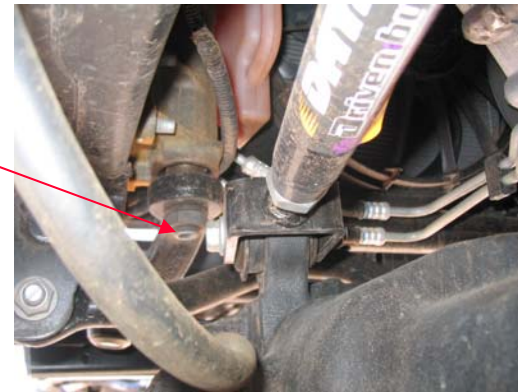
Any vehicle equipped with any Daystar Product must have the “Warning to driver” decal installed on the sun visor or dash. The decal is to act a constant reminder for whoever is operating the vehicle of its unique handling characteristics. **INSTALLING DEALER**— Its is your responsibility to install the warning decal and forward these instructions on too the vehicle owner for review and to be kept in the vehicle for service life.

After installation occurs, a qualified alignment facility is required to align the vehicle to factory specs.

13. With a 5/8 wrench and 5/8 socket wrench and extension tighten the rear bolts to 75ft lbs.



14. With a 18mm wrench and 18mm socket tighten the front bolts to 75ft lbs.



15. With the control arms installed lube the joints.
16. You will need to have a wheel alignment done.
17. At that time have the alignment shop use the use the thread lock on the Jam nuts.
18. Check the bolts and nut after 500 miles and every 5000 miles or off road use.

- Due to exhaust clearance on the passenger side you will have to cut the bolt off..



- One side at a time. Remove the bolts and the control arm.
- Install the Daystar control arm. Reuse the stock bolts in the front mounting of the control arm.



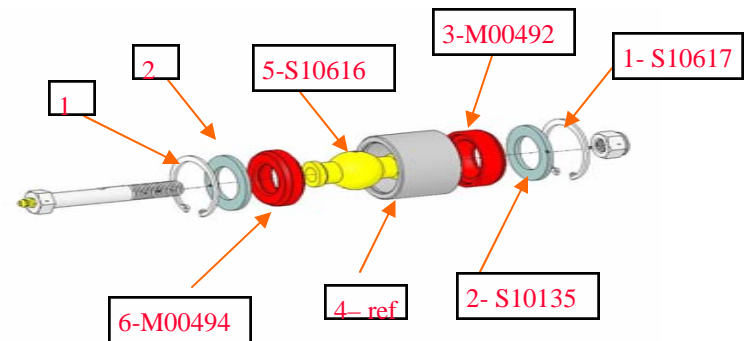
- Install the rear bolt from the frame as show.



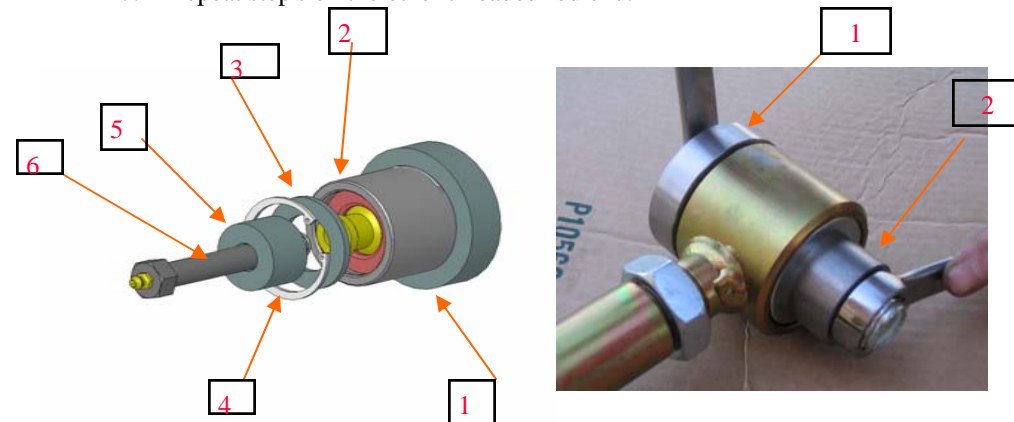
Installation steps

Poly Flex joint assembly

- Using a retaining clip pliers install the C-clip (1) into the steel shell (4) then place the washer (2) into the shell (4).
- Put a small amount of poly-lube over the poly-flex bushing (3) then install it over the steel washer (2) in the steel tub.(4)
- Put a small amount of poly-lube over the steel ball (5) and then install it in the steel tub (4) then install the other poly-flex bushing (6) over the steel ball (5) .

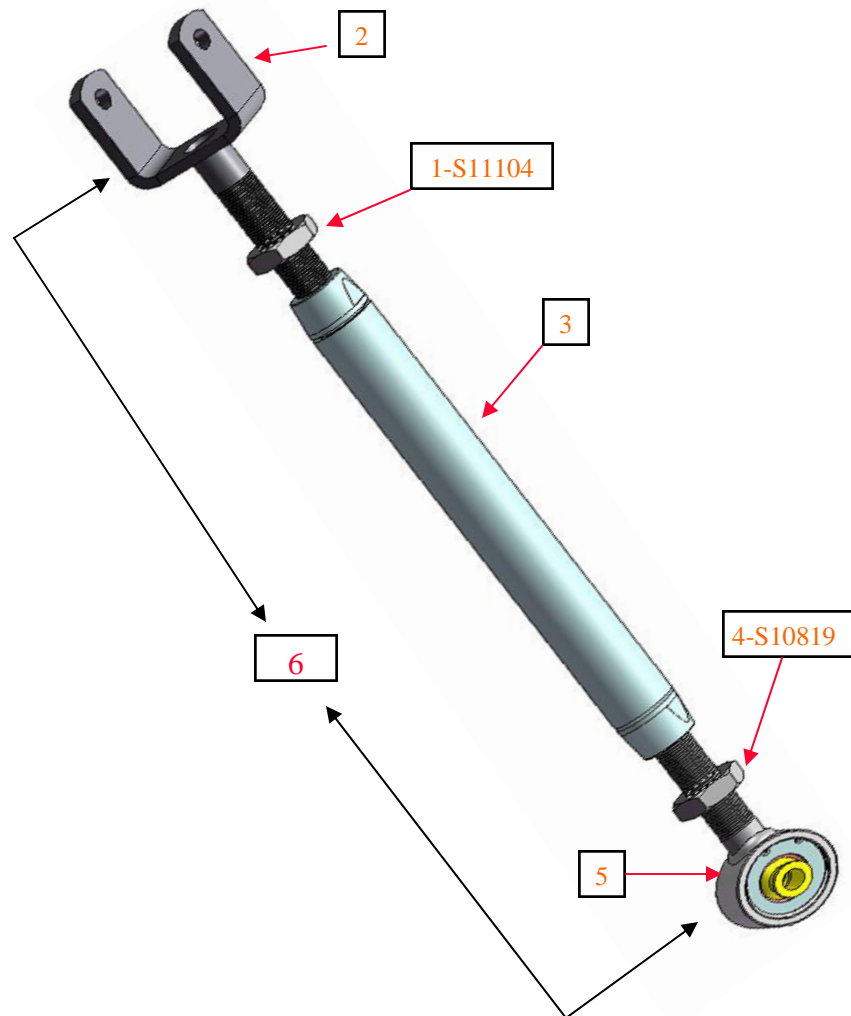


- Using the ploy-flex joint tool.(KU70091) Place the assembly (2) into the large tool (1) and the place the washer (3) and C-clip (4) over opened end off the assembly (2).
- Place the small tool (5) over the washer (3) and push the 7/16 bolt (6) thru the assembly(2) and thread on the 7/16 nut.
- With a 5/8 wrench and 5/8 ratchet on the bolt and nut tighten them down so you can install the c-clip (4) using a c-clip pliers.
- Repeat step's on the other threaded rod end.



Control arm assembling steps

1. Thread the S11104 3/4-16 jam nut (1) onto the u-rod end (2) and thread that into the S11095 control arm (3).
2. Thread on the S10819 3/4 jam nut onto the rod end assembly's (5).
3. Thread the rod end (5) into the control arm (3).
4. Set the control arm to length.(6)
5. With a measuring tape set the arms to stock length if not lifted. If lift adjust arm length out a .250 per inch of lift. This is not a set length. You will need a 4 wheel alignment to set the wheels to factory spec after installation of control arms.



Installation steps

6. Raise up the jeep and place floor jacks under the frame. Place wheel chocks behind the rear wheels.
7. Remove the wheels and place the jack under the front axel and support it.



8. With a 18mm wrench and socket remove the front upper control (2) arm bolts (1).

