



KN09105 – 2005-UP Nissan Xterra/Frontier 2" Lift

www.DaystarWeb.com

Tech Support: Tech@DaystarWeb.com

Phone: 623.907.0081 / Fax: 623.907.0088

841 South 71st Avenue; Phoenix, AZ 85043



Shown above: S Model with KN09105 2" lift and 32X10.50X16 BFG AT's

INSTALLATION INSTRUCTIONS

1. Read instructions completely, verify bill of materials and determine if you have the correct tools before beginning installation.

Front Installation

2. Raise vehicle until front tires are clear, support the vehicle.
3. Remove the front tire and wheel assembly.
4. Remove the lower stabilizer link bolt and move sway-bar assembly out of way.
5. Remove the upper ball joint nut.
6. Separate the upper ball joint from the spindle.
7. Remove the strut assembly and install the strut spacer see Fig. 1.
8. Rotate the strut (with spacer installed) 180 °.
9. Reassemble spindle and ball joint

Rear Installation

10. Remove spare tire.
11. Raise vehicle until rear tires are clear, support the vehicle.
12. Remove rear sway-bar bolt and swing the bar and linkage out of the way. Remove the shocks.
13. Support the rear axle and remove the OE shackles and OE spring bushings.
14. Install new Daystar Greaseable shackles. See Fig 2.
15. Reconnect the swaybar and install **optional** new shocks (22in. extend length, 13.5 compressed Eylet/Eyelet)
16. Torque all bolts to factory specs and check after 50 miles.
17. After installation of kit; alignment should be checked and adjusted if necessary.

Tools required
Description:
Standard sockets, hand tools Etc.
Hydraulic Lift is Recommended
Floor Jacks / Jack Stands
Ball joint separator

Bill of Materials		
Part #	Description	Qty
S11014	SHACKLES (REAR)	2
M03678	SPRING BUSHING	4
M03679	SPRING BUSHING	4
S11010	STEEL TUBING 0.584X0.750X3.950	2
S11011	STEEL TUBING 0.584X0.750X2.865	2
S10205	9/16-12 NYLOCK NUTS	4
S10199	9/16-12 X 4-1/2" GR5 GREASABLE BOLT	2
S10388	9/16-12 X 5-1/2" GR5 GREASABLE BOLT	2
S11015	9/16 SAE NARROW WASHER	8
S11013	STRUT SPACER (FRONT)	2
S10203	7/16-14 NYLOCK NUTS (FRONT)	6
S11016	7/16 SAE NARROW WASHER (FRONT)	6





KN09105 – 2005-UP Nissan Xterra/Frontier 2" Lift

www.DaystarWeb.com

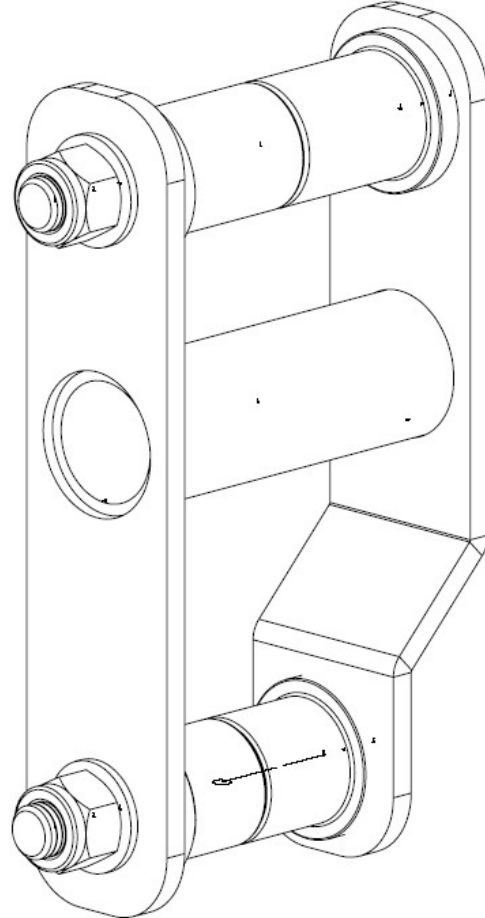
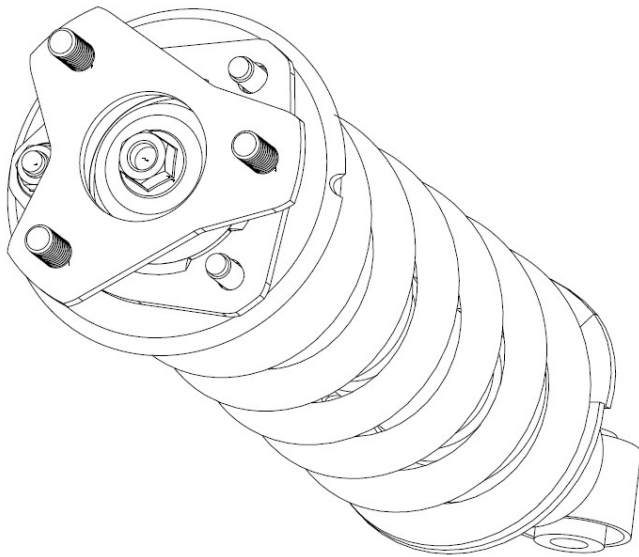
Tech Support: Tech@DaystarWeb.com

Phone: 623.907.0081 / Fax: 623.907.0088

841 South 71st Avenue; Phoenix, AZ 85043

Fig 2. Daystar Greaseable shackles

Fig 1. OE STRUT WITH SPACER ON TOP



WARNING

This vehicle has been modified to enhance its performance. The steering, braking and handling of this vehicle will differ from standard passenger cars and trucks. This vehicle handles differently from an ordinary vehicle in driving conditions which may occur on streets, highways and off road.

Avoid unnecessary abrupt maneuvers, sudden stops, sharp turns and other driving conditions that could cause loss of control, possibly leading to a roll over or other accident that could result in serious injury or death to driver and passengers.

If larger tires are installed the speedometer will read lower than the vehicles actual speed.

**DRIVE WITH CARE, REDUCE SPEED
AND WEAR SEAT BELTS AT ALL TIMES.**

This kit should be installed by a professional mechanic.

